

Rêve Handwash basin

5030K

Product Description: Handwash basin 450mm with open waste, no overflow

Recommended Items: 4887K Base unit
E4822-CP Towel rail

Product Dimensions: W450 x D285 mm

Colour/Finish: White

Material: Fireclay

Product Weight (kg): 8.1

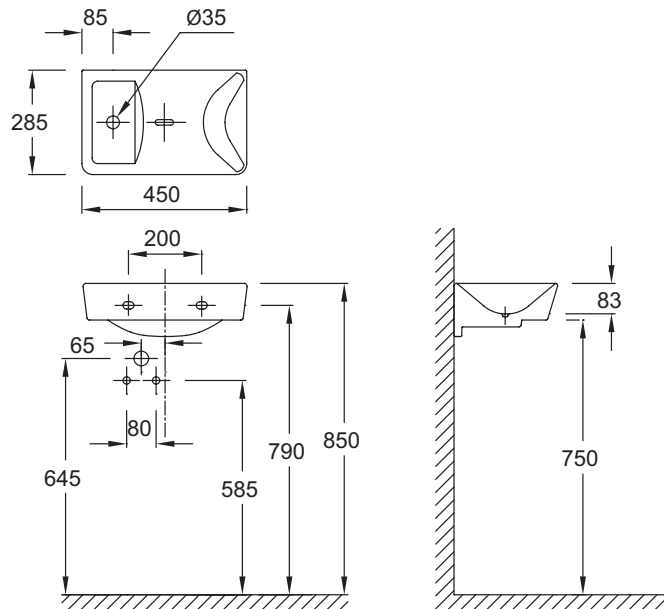
Fixings Included: Yes (May not be suitable for all wall types)

Guarantee (Years): 25

Additional Information: Rinse thoroughly and use a soft cloth to wipe the product dry after use. Soft abrasive cleaners may be used when necessary to clean vitreous china products. Strong abrasive cleaners will scratch and dull the surface. Wipe any splashes of cleaning solutions from plastic or plated surfaces immediately.



Dimensions (mm)



Kohler UK

Sales and Technical: +44 (0) 844 571 0048

info@kohler.co.uk

www.KOHLER.co.uk

THE BOLD LOOK
OF **KOHLER**®